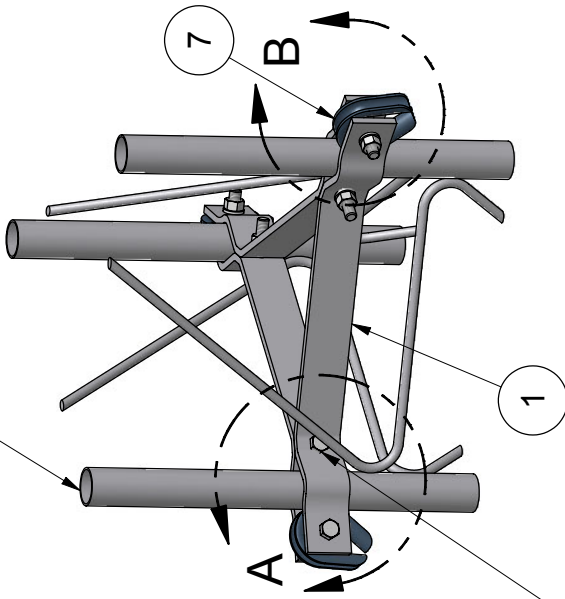
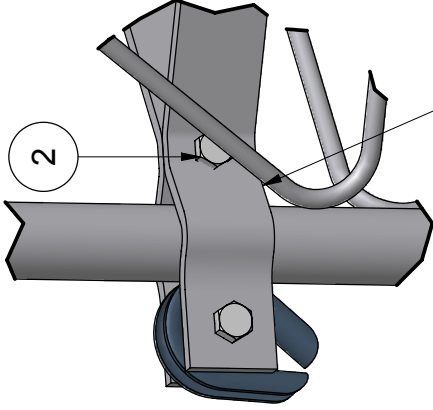


AMERITE 25 TOWER SECTION SHOWN FOR REF. ONLY

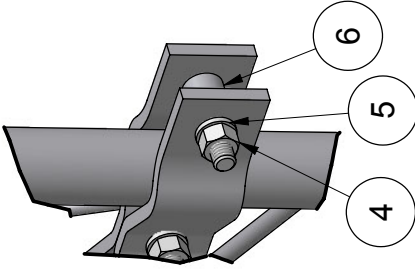


BOLTS TO BE INSERTED AS SHOWN,  
MUST NOT INTERFERE WITH TOWER DIAGONALS



DETAIL A

BRACKET MUST SIT ON DIAGONAL  
BRACE AS SHOWN



DETAIL B

ITEM	QTY	PART NUMBER	DESCRIPTION
7	3	Cable Thimble	3/8 HD Cable Thimble
6	3	1270	BUSHING
5	6		3/8 Helical Spring Lock Washer
4	6		3/8-16 UNC GR. 5 HEX NUT
3	3		3/8-16 UNCGR. 5 x 2 HEX HEAD
2	3		3/8-16 UNC GR. 5 x 1 1/2 HEX HEAD
1	3	1268	AMERITE 25 GUY BRACKET BAR
			DESCRIPTION
Parts List			

AMERICAN TOWER COMPANY

ISO 9001-2000

P.O. Box 29 Shelby, Ohio 44875

info@amertower.com

www.amertower.com

Since 1953

Fax (419) 347-1654

Telephone (419) 347-1185

TITLE

AMERITE 25 GUY BRACKET

SIZE

A

DWG NO

1269

SHT. #

1

DRAWN BY: DOW

DATE 4/23/2005