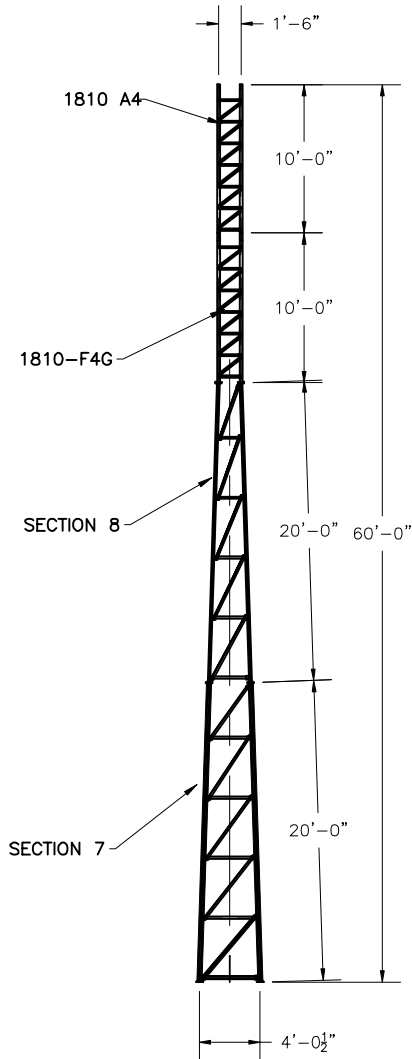


| ASTM         |                                |
|--------------|--------------------------------|
| *            | A36                            |
| GRADE        | 5                              |
| LEGS         | 2.0" x 10 GA                   |
| DIAGONALS    | 1.9" x 0.145"                  |
| GIRTS        | 2.375" x 0.154"                |
| BRACE BOLTS  | 1810-A4                        |
| SPLICE BOLTS | 1810-F4G                       |
| ANCHOR BOLTS | SECTION 7                      |
|              | SECTION 8                      |
|              | (1)-5/8"φ                      |
|              | (4)-1/2"φ                      |
|              | (4)-3/4"φ (C1018 THREADED ROD) |
|              | (1)-1/2 x 1 1/2 x 1/8          |
|              | L1 1/2 x 1 1/2 x 1/8           |
|              | L1 3/4 x 1 3/4 x 1/8           |
|              | L1 3/4 x 1 3/4 x 1/8           |
|              | L1 1/4 x 1 1/4 x 1/8           |
|              | L1 1/4 x 1 1/4 x 1/8           |
|              | L3/4 x 3/4 x 1/8               |
|              | -SHOP WELDED-                  |
|              | (2)-1/2"φ                      |

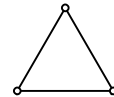


According to ANSI/EIA-222-F 1996

| 90 mph/78 mph + 1/2" radial ice w/ (3 second gust) per OBC AND IBC |            |                 |          |                |
|--|------------|-----------------|----------|----------------|
|  | CaAa       | Flat Plate Area | Weight   | Elevation      |
| No Ice   | 40.0 sq ft | 22.22 sq ft     | 1200 lbs | 60.0 ft        |
| 1/2" Ice   | 49.5 sq ft | 27.50 sq ft     | 1600 lbs | 60.0 ft        |
| No Ice   | 71.5 sq ft | 39.72 sq ft     | 900 lbs  | 60 ft to 30 ft |
| 1/2" Ice   | 87.0 sq ft | 48.33 sq ft     | 1700 lbs | 60 ft to 30 ft |
| (1)-7/8" coax Elevation 0 ft to 60 ft                              |            |                 |          |                |
| Climbing Ladder Elevation 0 ft to 40 ft                            |            |                 |          |                |

| 70 mph/61 mph + 1/2" radial ice (Fastest MPH) per EIA-222-F |            |                 |          |                |
|---|------------|-----------------|----------|----------------|
|   | CaAa       | Flat Plate Area | Weight   | Elevation      |
| No Ice  | 42.0 sq ft | 23.33 sq ft     | 1200 lbs | 60.0 ft        |
| 1/2" Ice  | 52.0 sq ft | 28.89 sq ft     | 1600 lbs | 60.0 ft        |
| No Ice  | 76.5 sq ft | 42.50 sq ft     | 900 lbs  | 60 ft to 30 ft |
| 1/2" Ice  | 93.0 sq ft | 51.67 sq ft     | 1700 lbs | 60 ft to 30 ft |
| (1)-7/8" coax Elevation 0 ft to 60 ft                       |            |                 |          |                |
| Climbing Ladder Elevation 0 ft to 40 ft                     |            |                 |          |                |

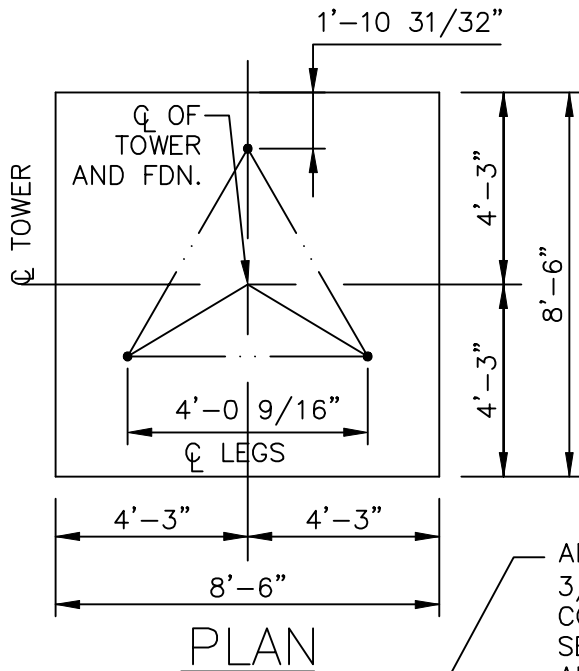
\* PIPE LEGS 42 KSI MIN YIELD  
10 GA TUBE LEGS 30 KSI MIN YIELD



INTERIOR BRACING  
- NOT REQUIRED -

FOUNDATION REACTIONS  
TOTAL MOMENT: 90.7FT-KIPS  
TOTAL SHEAR: 4 KIPS  
TOTAL DOWNLOAD: 3 KIPS

|   |                       |
|---|-----------------------|
| <b>AMERICAN TOWER COMPANY</b><br>ISO 9001-2000<br>P.O. Box 29 Shelby, Ohio 44875<br>www.amertower.com<br>info@amertower.com<br>Since 1953 |                       |
| Telephone<br>(419) 347-1185   | Fax<br>(419) 347-1654 |
| 60' STANDARD  |                       |
| BY: DOW   | DATE: 12/21/02        |
| DWG NO. 1063  |                       |

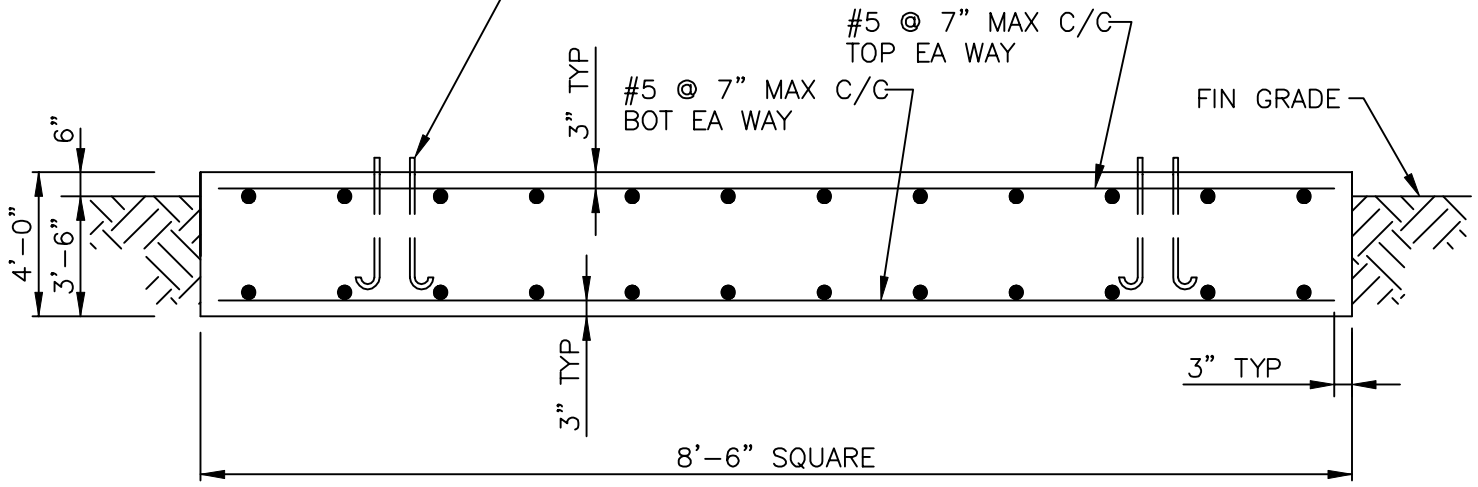


**NOTES:**

1. ALL CONCRETE SHALL HAVE A MINIMUM COMPRESSIVE STRENGTH OF 3000 PSI @ 28 DAYS.
2. REINFORCING STEEL SHALL CONFORM TO THE REQUIREMENTS OF ASTM A615 (GRADE 60).
3. TOTAL CONCRETE = 10.7 CUBIC YARDS.
4. FOUNDATION DESIGN BASED UPON ASSUMED SOIL PARAMETERS AS FOLLOWS:

ALLOW BEARING PRESSURE: 2000 PSF  
 UNIT SOIL WEIGHT: 100 PCF  
 WATER AND ROCK LOCATED BELOW FOOTING

ANCHOR BOLTS BY AMERICAN TOWER,  
 3/4"φ x 3'-6" MIN EMBEDMENT INTO  
 CONCRETE. 180° END HOOK PER ACI.  
 SEE DRAWINGS BY AMERICAN TOWER FOR  
 ANCHOR BOLT ORIENTATION.



**MAT FOUNDATION**

FOOTING MUST BEAR ON  
 UNDISTURBED SOIL OR  
 COMPACTED BACKFILL.

|  |                |
|--|----------------|
| <b>AMERICAN TOWER COMPANY</b><br>ISO 9001-2000<br>P.O. Box 29 Shelby, Ohio 44875<br>www.amertower.com<br>info@amertower.com<br>Telephone (419)347-1185 Since 1953 Fax (419) 347-1654 |                |
| 60' STANDARD FOUNDATION  |                |
| BY: DOW  | DATE: 12/21/02 |
| DWG NO. 1063 A   |                |