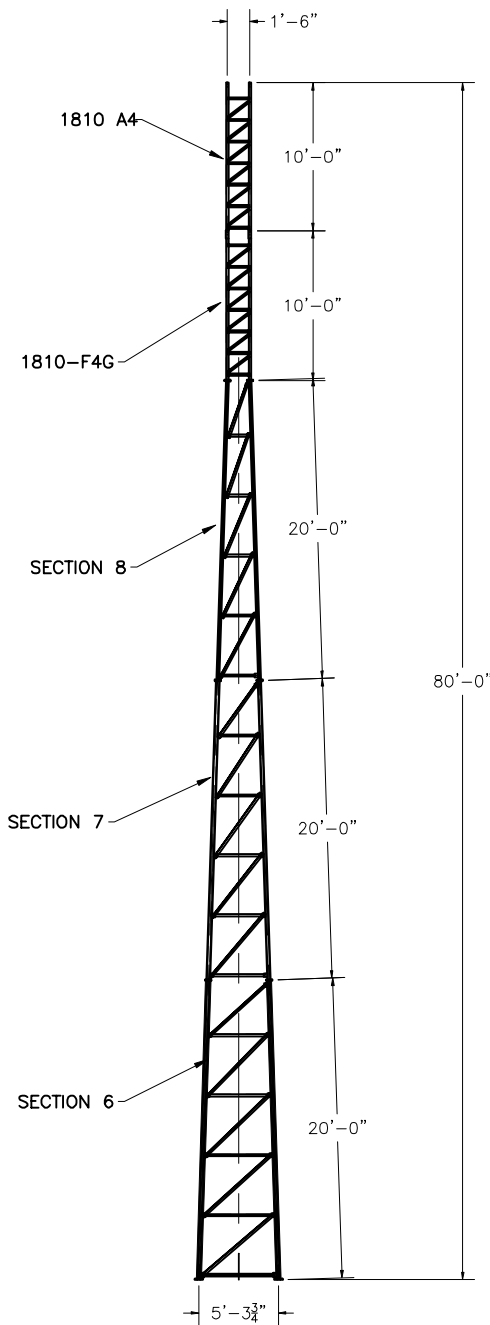


| | | ASTM | |
|--------------|-------------------------------|----------------------|----------------------|
| LEGS | 2.375" x 0.218" | 2.375" x 0.154" | 1.9" x 0.145" |
| DIAGONALS | L1 3/4 x 1 3/4 x 1/8 | L1 1/2 x 1 1/2 x 1/8 | L3/4 x 3/4 x 1/8 |
| GIRTS | L1 3/4 x 1 3/4 x 1/8 | L1 1/2 x 1 1/2 x 1/8 | L1 1/4 x 1 1/4 x 1/8 |
| BRACE BOLTS | (1)-5/8" | (4)-1/2" | (2)-1/2" |
| SPICE BOLTS | (4)-7/8" (C1018 THREADED ROD) | | |
| ANCHOR BOLTS | | | |
| | | 2.0" x 10 GA | |
| | | A36 | |
| | | GRADE 5 | |
| | | -SHOP WELDED- | |



According to ANSI/EIA-222-F 1996
90 mph/78 mph + 1/2" radial ice w/ (3 second gust) per OBC AND IBC

| | CaAa | Flat Plate Area | Weight | Elevation |
|---|------------|-----------------|----------|----------------|
| No Ice | 37.0 sq ft | 20.56 sq ft | 800 lbs | 80.0 ft |
| 1/2" Ice | 45.0 sq ft | 25.00 sq ft | 1200 lbs | 80.0 ft |
| No Ice | 64.0 sq ft | 35.56 sq ft | 750 lbs | 80 ft to 50 ft |
| 1/2" Ice | 78.0 sq ft | 43.33 sq ft | 1400 lbs | 80 ft to 50 ft |
| (1)-7/8" coax Elevation 0 ft to 80 ft | | | | |
| Climbing Ladder Elevation 0 ft to 60 ft | | | | |

70 mph/61 mph + 1/2" radial ice (Fastest MPH) per EIA-222-F

| | CaAa | Flat Plate Area | Weight | Elevation |
|---|------------|-----------------|----------|----------------|
| No Ice | 38.5 sq ft | 21.39 sq ft | 800 lbs | 80.0 ft |
| 1/2" Ice | 47.0 sq ft | 26.11 sq ft | 1200 lbs | 80.0 ft |
| No Ice | 68.0 sq ft | 37.78 sq ft | 750 lbs | 80 ft to 50 ft |
| 1/2" Ice | 82.0 sq ft | 45.56 sq ft | 1400 lbs | 80 ft to 50 ft |
| (1)-7/8" coax Elevation 0 ft to 80 ft | | | | |
| Climbing Ladder Elevation 0 ft to 60 ft | | | | |

* PIPE LEGS 42 KSI MIN YIELD
10 GA TUBE LEGS 30 KSI MIN YIELD



INTERIOR BRACING
- NOT REQUIRED -

FOUNDATION REACTIONS
TOTAL MOMENT: 149 FT-KIPS
TOTAL SHEAR: 3 KIPS
TOTAL DOWNLOAD: 5 KIPS

AMERICAN TOWER COMPANY
ISO 9001-2000
P.O. Box 29 Shelby, Ohio 44875
www.amertower.com
info@amertower.com
Since 1953

Telephone (419) 347-1185 Fax (419) 347-1654

80' STANDARD

BY: DOW DATE: 12/21/02

DWG NO. 1062

NOTES:

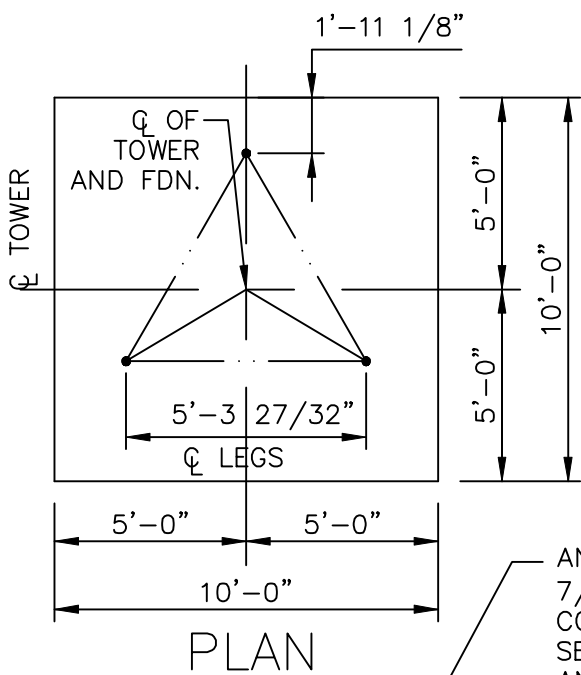
1. ALL CONCRETE SHALL HAVE A MINIMUM COMPRESSIVE STRENGTH OF 3000 PSI @ 28 DAYS.

2. REINFORCING STEEL SHALL CONFORM TO THE REQUIREMENTS OF ASTM A615 (GRADE 60).

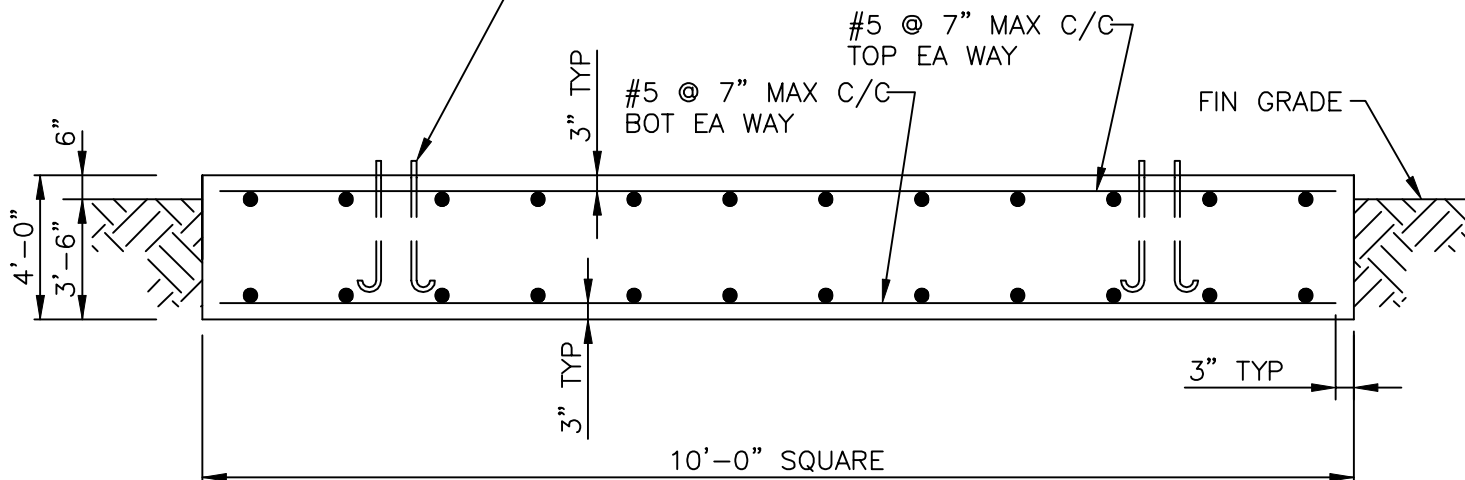
3. TOTAL CONCRETE = 14.9 CUBIC YARDS.

4. FOUNDATION DESIGN BASED UPON ASSUMED SOIL PARAMETERS AS FOLLOWS:

ALLOW BEARING PRESSURE: 2000 PSF
 UNIT SOIL WEIGHT: 100 PCF
 WATER AND ROCK LOCATED BELOW FOOTING



ANCHOR BOLTS BY AMERICAN TOWER, 7/8"φ x 3'-6" MIN EMBEDMENT INTO CONCRETE. 180° END HOOK PER ACI. SEE DRAWINGS BY AMERICAN TOWER FOR ANCHOR BOLT ORIENTATION.



MAT FOUNDATION

FOOTING MUST BEAR ON UNDISTURBED SOIL OR COMPACTED BACKFILL.

| | |
|--|----------------|
| AMERICAN TOWER COMPANY ISO 9001-2000 P.O. Box 29 Shelby, Ohio 44875 www.amertower.com info@amertower.com Telephone (419)347-1185 Since 1953 Fax (419) 347-1654 | |
| 80' STANDARD FOUNDATION | |
| BY: DOW | DATE: 12/21/02 |
| DWG NO. 1062 A | |